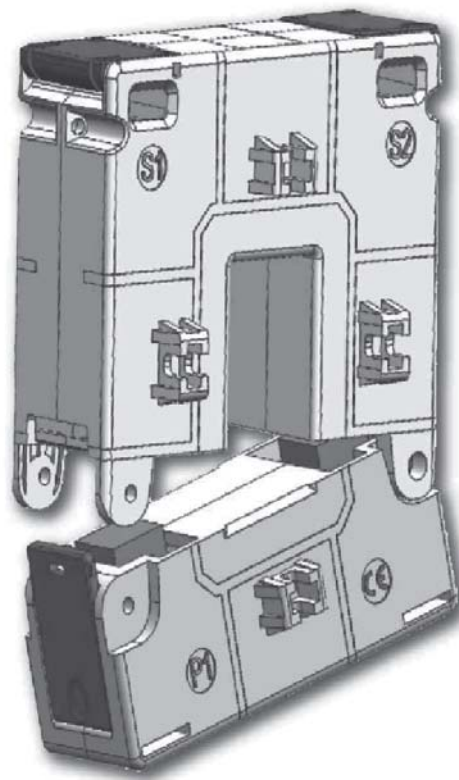


Ziegler

Redefine Innovative Metering

LOW VOLTAGE CURRENT TRANSFORMER ZIEGLER SPLIT CORE

SQUARE SPLIT CORE CURRENT TRANSFORMER

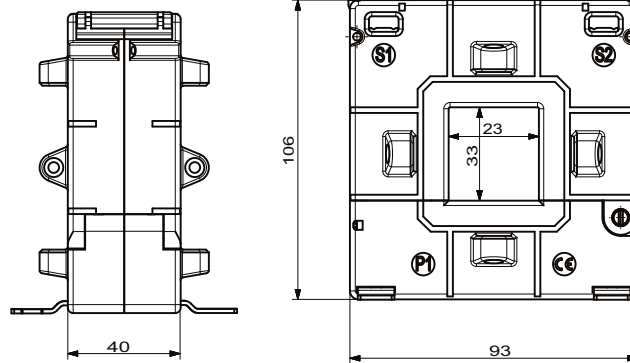


© Ziegler Instruments Order No. ZIS 12.50 SB Data sheet-E1_R0-930722-42-2014-EN

LOW VOLTAGE CURRENT TRANSFORMER

SPLIT CORE

SPLIT CORE



ALL DIMENSIONS ARE IN MM

SPLIT CORE CTs

Primary Current	VA/Acc Class	OD/ID (Axial)	Ziegler CT Type
100A	1.5VA / Class 1	93 / 30 (40)	ZIS 9.30 SB (40)
100A	3.5VA / Class 3	93 / 30 (40)	ZIS 9.30 SB (40)
150A	1.75VA / Class 1	93 / 30 (40)	ZIS 9.30 SB (40)
150A	3.75VA / Class 3	93 / 30 (40)	ZIS 9.30 SB (40)
200A	2.5VA / Class 1	93 / 30 (40)	ZIS 9.30 SB (40)
200A	5VA / Class 3	93 / 30 (40)	ZIS 9.30 SB (40)
250A	3.75VA / Class 1	93 / 30 (40)	ZIS 9.30 SB (40)
250A	6.25VA / Class 3	93 / 30 (40)	ZIS 9.30 SB (40)
300A	5VA / Class 1	93 / 30 (40)	ZIS 9.30 SB (40)
300A	6.25VA / Class 3	93 / 30 (40)	ZIS 9.30 SB (40)
400A	6.25VA / Class 1	93 / 30 (40)	ZIS 9.30 SB (40)
400A	10VA / Class 3	93 / 30 (40)	ZIS 9.30 SB (40)
500A	3.75VA / Class 0.5	125 / 50 (40)	ZIS 12.50 SB (40)
500A	5VA / Class 1	125 / 50 (40)	ZIS 12.50 SB (40)
600A	5VA / Class 0.5	125 / 50 (40)	ZIS 12.50 SB (40)
600A	7.5VA / Class 1	125 / 50 (40)	ZIS 12.50 SB (40)
750A	7.5VA / Class 0.5	125 / 50 (40)	ZIS 12.50 SB (40)
750A	10VA / Class 1	125 / 50 (40)	ZIS 12.50 SB (40)
800A	7.5VA / Class 0.5	125 / 50 (40)	ZIS 12.50 SB (40)
800A	10VA / Class 1	125 / 50 (40)	ZIS 12.50 SB (40)

FEATURES

- Operation free installation.
- Test Voltage 3KV 50Hz 1min.
- System Voltage 720V Max.
- Ratio ratings from 100/5A to 1500/5A.
- Comprehensive measurement of class accuracy.
- Wide range of system current ratings and busbar sizes.
- CTs manufactured as per IEC 60044-1 & IS 2705-1

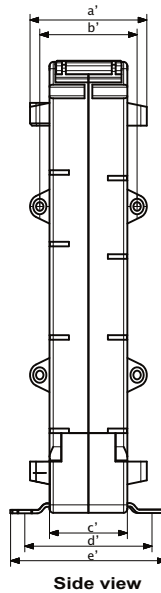
APPLICATIONS

- Switchgear
- Distribution system
- Generator sets
- Control panels
- Overload protection
- Control devices

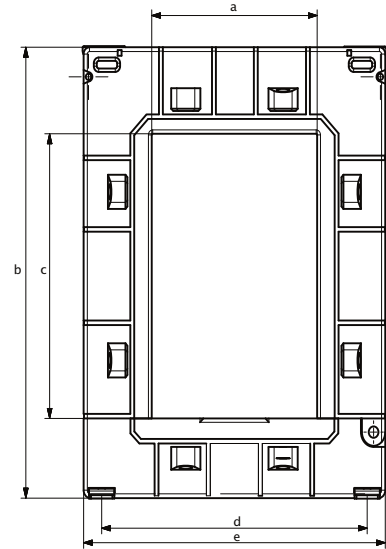
LOW VOLTAGE CURRENT TRANSFORMER

ZIEGLER SPLIT CORE

ZIEGLER SPLIT CORE



Side view



Front view

ALL DIMENSIONS ARE IN MM

SPLIT CORE CTs

Primary Current	VA/Acc Class	OD/ID (Axial)	Ziegler CT Type
1000A	10VA / Class 0.5	125 / 50 (40)	ZIS 12.50 SB (40)
1000A	15VA / Class 1	125 / 50 (40)	ZIS 12.50 SB (40)
1200A	15VA / Class 0.5	155 / 80 (40)	ZIS 15.80 SB (40)
1200A	30VA / Class 1	155 / 80 (40)	ZIS 15.80 SB (40)
1250A	15VA / Class 0.5	155 / 80 (40)	ZIS 15.80 SB (40)
1250A	30VA / Class 1	155 / 80 (40)	ZIS 15.80 SB (40)
1500A	20VA / Class 0.5	155/80 (40)	ZIS 15.80 SB (40)
1500A	45VA / Class 1	155/80 (40)	ZIS 15.80 SB (40)
1600A	45VA / Class 1	155/80 (40)	ZIS 15.80 SB (40)
1600A	45VA / Class 1	155/80 (40)	ZIS 15.80 SB (40)
2000A	20VA / Class 0.5	155/80 (40)	ZIS 15.80 SB (40)
2000A	45VA / Class 1	155/80 (40)	ZIS 15.80 SB (40)
2500A	20VA / Class 0.5	155/80 (40)	ZIS 15.80 SB (40)
2500A	45VA / Class 1	155/80 (40)	ZIS 15.80 SB (40)
3000A	20VA / Class 0.5	155/80 (40)	ZIS 15.80 SB (40)
3000A	45VA / Class 1	155/80 (40)	ZIS 15.80 SB (40)

DIMENSION DETAILS

Front view					
Model	a	b	c	d	e
125/50SC (40)	50	158	80	106	125
155/80SC (40)	80	198	120	136	155

Side view					
Model	a'	b'	c'	d'	e'
125/50SC (40)	60	50	40	65	80
155/80SC (40)	60	50	40	65	80

ZIEGLER INSTRUMENTS

Schnepfenreuther Weg 6, D-90425 Nürnberg, Germany.

TEL. | (+49)(911) 38 492 45 | E-MAIL | info@ziegler-instruments.com
 FAX. | (+49)(911) 32 26 212 | WEBSITE | www.ziegler-instruments.com

made in Germany

Ziegler

Redefine Innovative Metering